

1008116040

## TMIS-4

### Turbine Mini Intercom - 2 Buttons



- ✓ Background noise cancellation
- ✓ Built to last with robust die-cast aluminum frame
- ✓ Supports wide set of IP and networking standards
- ✓ ONVIF Compatible
- ✓ White thermoplastic front plate with 2 buttons
- ✓ Ideal for Building Security and Public Environments



Avaya Certified



Cisco Certified



UL Certified Intercom



Turbine



HD Voice



Automatic Gain Control



Active Noise Cancelling

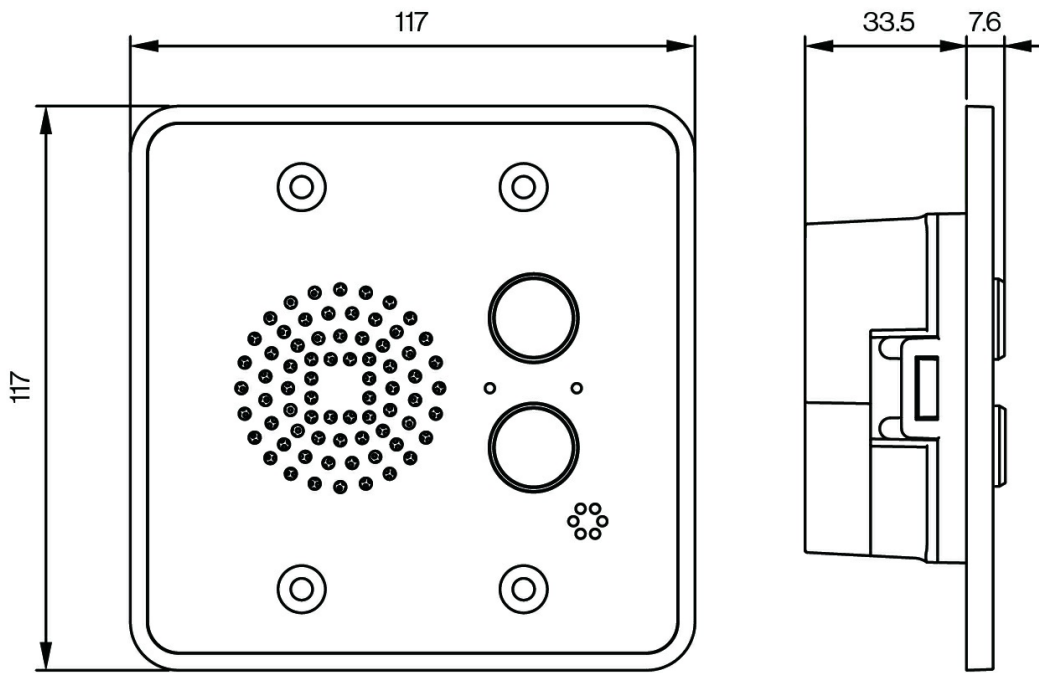
## Description

The TMIS-4 IP Turbine Mini intercom station is robust and designed for indoor use. This station is typically used as a communication, information or emergency point and connects directly to the IP network. This makes it easy to deploy anywhere and at any distance.

All IP stations in the Turbine series utilize the latest technology to create unparalleled audio quality. Some of the many features include: HD voice quality, Open Duplex, Active Noise Cancellation, MEMS microphone, and a Class D amplifier.

These features, in conjunction with our many decades-long experience with acoustic technology are only a few of the many factors that contribute to the superior audio quality of our products.

# Technical Dimensions



All dimensions in mm

# Specifications

## AUDIO

SPL peak power at 1m in half and open duplex	90 dB
Noise cancelling - suppression of musical noise	Yes
Noise cancelling - suppression of static noise	Yes
Codecs	G.711, G.722, G.729
Frequency range, G.722 Codec	200 Hz – 7000 Hz
Audio technology	Modes: Full open duplex, switched open duplex, Adaptive jitter buffer Custom Ringing Tone Audio Mixing – Conversation and Group Call Sound Level Detection / scream alarm (in AlphaCom mode) Automatic gain control (microphone)
Internal speaker amplifier	10 W Class D
Internal speaker	1 W
Microphone technology	Digital MEMS, omnidirectional microphone
Automatic Volume Control (AVC)	Yes
Acoustic Echo Cancellation (AEC)	Yes

## HARDWARE

Ethernet connector	1 x RJ45
All other connectors	Tool less, spring loaded, vibration proof terminals
General inputs and outputs	6 (configurable)
Outputs	12mA as LED drivers
Change-over relay (NO+NC+COM)	SELV
Power options	PoE and or external power supply
PoE (power over Ethernet)	IEEE 802.3af standard, Class 0 (0.44W to 12.95 W)
External power supply	24 VDC (16 – 48 V)
Power consumption	2.8 W
Audio line out / Induction loop signal	0 dBV
Button backlight	LED
Call indication	Icons/colors for hearing impaired

## CONSTRUCTION

Dimensions (HxWxD)	117 x 117 x 41.1 mm
Dimensions after flush mount	117 x 117 x 7.6 mm
Weight	0.3 kg
Button material	3 mm / 0.12" Polycarbonate (transparent)
Faceplate material	2 mm / 0.12" PMMA, colour printed on back side
Base / frame material	3 mm / 0.12" Aluminum alloy - A413.0, AlSi12Fe, painted
Electronics cover material	Polycarbonate (translucent)
Loudspeaker poke protection, large diameter objects	Thermoplastic faceplate with machined grille
Loudspeaker poke protection, small diameter objects	Stainless steel mesh, acoustically transparent

## NETWORKING & PROTOCOLS

Protocols	IPv4 (with DiffServ), SIP, TCP, UDP, HTTPS, TFTP, RTP, SRTP, DHCP, SNMP, ONVIF, CCoIP®, NTP
LAN protocols	Power over Ethernet (IEEE 802.3 a-f), Network Access Control (IEEE 802.1x)
Management and operation	HTTP/HTTPS (Web configuration), DHCP and static IP + IC-EDGE, Remote software upgrade, Centralized monitoring
Advanced supervision functions	E.g network test, tone test, status reports (only in AlphaCom)
SIP Support	RFC 3261 (SIP base standard), RFC 3515 (SIP refer), RFC 2976 (SIP info), SIP using TLS, RFC 5630 SIPS URI scheme
DTMF Support	RFC 2833, 2976 (SIP info)

## ENVIRONMENT & COMPLIANCES

Ingress Protection rating	IP-42
UV-resistant	Yes
Operating temperature range	-25° to 70° C / -13° to 158 ° F
Storage temperature range	-25° to 70° C / -13° to 158 ° F
Relative humidity	< 95% non-condensing
EMC	CE and FCC part 15
Certifications	UL 62368-1, EN 62368-1
Compliances	EN 61000-6-1, EN 61000-6-3

## OTHER SPECIFICATIONS

Country of manufacture	Poland
IP adress information	Speaks IP address after system boot

## Accessories



### TA-2

US 2-Gang 3 1/2" Deep Backbox



### TA-3

2 1/2" Deep Flushmount Backbox for Turbine Compact & Mini



### TA-13

Turbine Mini On-Wall Back Box White