

1008041200

IP Vandal Resistant Substation TKIE



Prison Intercom



DESCRIPTION

- Compatible with AlphaCom, IC-EDGE and iPBXs (SIP)
- Designed to deliver CCoIP® - Critical Communication over IP
- Vandal and water resistant
- Designed in stainless steel (AISI 316L) to withstand corrosion
- Remote software upgrade, configuration and monitoring
- Integrated data switch with advanced networking and security functions
- 2 Relay outputs for remote control, e.g. doors, signal lamps and gates
- Powered from the IP network cable using Power over Ethernet (PoE)
- Superb audio quality – high bandwidth codec, active noise cancellation, acoustic echo cancellation and high output power amplifier

The Vandal Resistant IP Intercom Substation is tough, durable and resilient, and designed for use in the harshest of environments. The station is typically used as a communication, information or emergency point and connects directly to the IP network making it easy to deploy – anywhere and at any distance.

The IP station supports open standards and is compatible with AlphaCom, IC-EDGE and iPBXs using SIP technology. When working in AlphaCom mode, the IP station supports special services only available using the CCoIP protocol, AlphaCom server. Examples of services are emergency broadcast with volume override, CCTV integration, call priority, and AlphaNet multisite networking and event scripting.

Like all Vingtor-Stentofon stations, this IP substation features superb audio quality. This is enabled through a set of advanced technologies such as active noise filtering, acoustic echo cancellation, wide band audio codec, and high power audio outputs.

The station has two relays and 6 configurable I/Os (input, output or LED-driving). The IP substation has an integrated managed data switch providing advanced networking and security features. The integrated switch provides support for:

- Protection from unwanted access
- Quality of Service (QoS) by managing data traffic
- Increased system availability through redundant LAN infrastructure
- Cost efficient installation by providing shared network connections

To provide maximum availability the station comes with advanced supervision functions. The station line test will detect if there is any faults in the network or station electronics. In addition the station supports tone test, testing the complete transmission path including microphone and speaker. The status of the stations is reported to AlphaWeb as well as to 3rd party management systems using SNMP, Syslog or OPC.

See also: [additional documentation on wiki.zenitel.com](http://wiki.zenitel.com)

SPECIFICATIONS

AUDIO

Noise cancelling - suppression of musical noise	YES
Noise cancelling - suppression of static noise	YES
Noise cancelling - suppression of rapidly changing noise	YES
Codecs	G.711, G.722, G.729
Frequency range, G.722 Codec	200 Hz to 7000 Hz
Audio technology	Modes: Full open duplex, switched open duplex
	Adaptive jitter filter
	Local tone generator
	Audio mixing - 3 channels
	Sound level detection (scream alarm)
	Automatic gain control (microphone)
	Automatic volume adjustment
	10 W class D
	Electret microphone
	8 ohm

HARDWARE

Ethernet connector	2 x RJ45
All other connectors	Tool less, spring loaded, vibration proof terminals
General inputs and outputs	6 (configurable), 12mA as LED drivers
Change-over relays (NO+NC+COM)	2 relays, max: 60VDC, 2A, 60W
Power options	PoE and or external power supply
PoE (power over Ethernet)	IEEE 802.3af standard, Class 0 (0.44W to 12.95 W)
External power supply	24 VDC (16 to 48 V)
Power consumption	Idle 1.8W, max 13W (depending on volume)
Audio line out / induction loop signal	600 ohm

CONSTRUCTION

Dimensions (HxWxD)	180 x 92 x 46 mm
Weight	0.8 kg
Protection	Vandal resistant design, 2 mm stainless steel front, tamper proof loudspeaker grill, button and fastening screws
Mounting	Flush mount in 50 mm deep back box
Frontplate material	AISI 316L

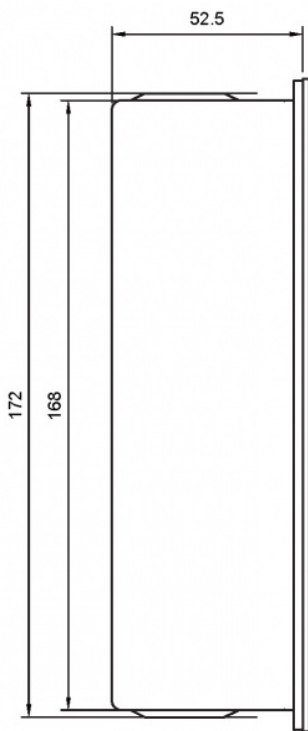
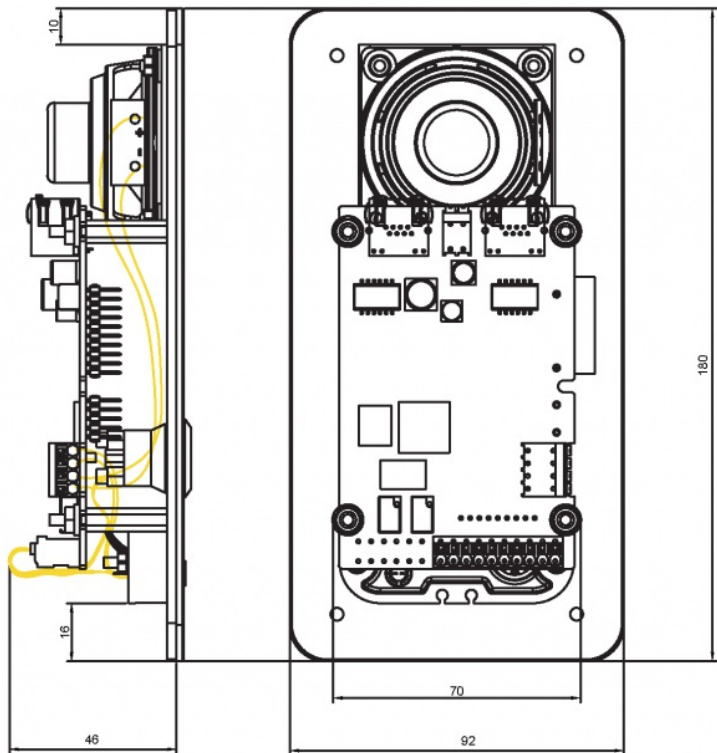
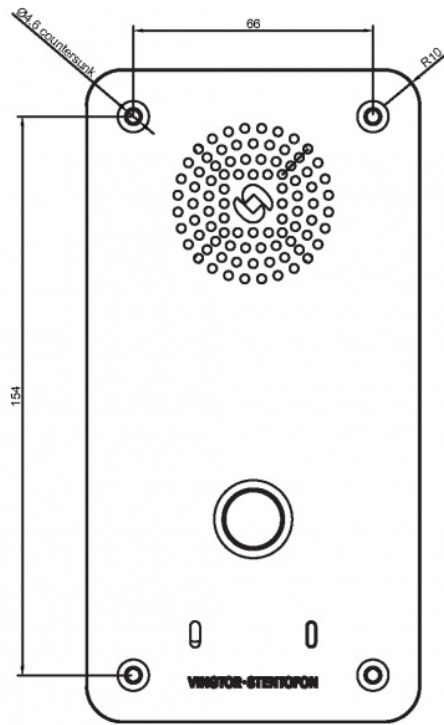
NETWORKING AND PROTOCOLS

Protocols	IPv4 (with DiffServ), SIP, TCP, UDP, HTTPS, TFTP, RTP, DHCP, SNMP, Vingtor-Stentofon CCoIPÅ®, NTP
LAN protocols	Power over Ethernet (IEEE 802.3 a-f) Network Access Control (IEEE 802.1x)
Management and operation	HTTP/HTTPS (Web configuration) DHCP and static IP + IC-EDGE, Remote automatic software upgrade, Centralized monitoring
Advanced supervision functions	E.g. network test, tone test, status reports
SIP support	RFC 3261 (SIP base standard) RFC 3515 (SIP refer) RFC 2976 (SIP info)
DTMF support	RFC 2833, 2976 (SIP info)

ENVIRONMENT AND COMPLIANCES

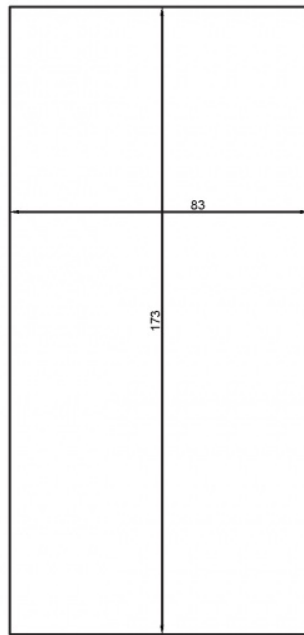
Operating temperature range	-40° to 70° C / -40° to 158 ° F
Storage temperature range	-40° to 70° C / -40° to 158 ° F
Relative humidity	< 95% not condensing
Ingress protection	With mounting box 1008098000 (on wall): IP-44, With mounting box 1008098100 (flush mount): IP-55
EMC	CE and FCC Part 15

TECHNICAL DIMENSIONS

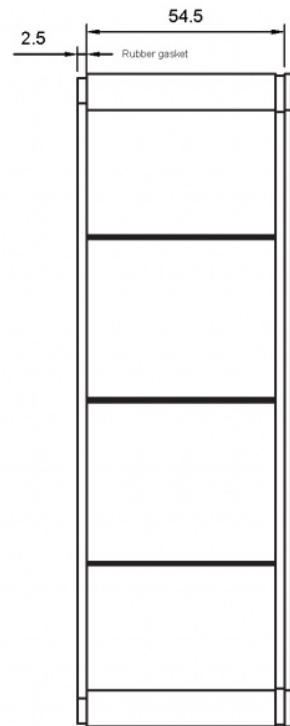


Mounted with flush back box

Flush mount back box 1008098100
On wall back box 1008098000



Cut of when mounted with flush back box



Mounted with wall back box

All dimensions in mm

ACCESSORIES



FLUSH MOUNT BACK BOX

Item number: 1008098100



ON WALL BACK BOX

Item number: 1008098000



TAMPER SWITCH FOR VANDAL RESISTANT SUBSTATION TKIE

Item number: 1008091010