

1008111040

TCIS-4

IP and SIP Intercom



Door Intercom



Avaya Certified



CISCO Certified



NEC Certified



UL Certified Intercom



Turbine



IP66



Automatic Volume



HD Voice



Automatic Gain Control



Active Noise Cancelling



Voice Activity Detection

DESCRIPTION

- Designed according to Disability Act requirements
- Audio Presence - crystal clear audio
- Amazing sound pressure levels when needed with automatic volume adjustment
- Background noise cancellation
- Dirt, dust and water resistant - rating IP-66
- Built to last with robust die-cast aluminum frame - rating IK 08
- Supports wide set of IP and networking standards
- Black thermoplastic front plate with one labelled button
- Unique labelling solution with PMOLED display
- Ideal for Building Security and Public Environments

All IP stations in the Vingtor-Stentofon Turbine series utilize the latest technology to create unparalleled audio quality. Some of the many features include: HD voice quality, Open Duplex, Active Noise Cancellation, MEMS microphone, a 10W Class D amplifier and our unique speaker grille design. These features, in conjunction with Vingtor-Stentofon's 65+ years of experience with acoustic technology are only a few of the many factors that contribute to our superior audio quality.

See also: [additional documentation on wiki.zenitel.com](https://wiki.zenitel.com)

SPECIFICATIONS

Created: 01.07.2014, updated: 10.07.2020

page 1/4

www.zenitel.com

info@zenitel.com

Zenitel and its subsidiaries assume no responsibility for any errors that may appear in this publication, or for damages arising from the information therein. Vingtor-Stentofon products are developed and marketed by Zenitel. The company's Quality Assurance System is certified to meet the requirements in NS-EN ISO 9001. Zenitel reserves the right to modify designs and alter specifications without notice.

ZENITEL PROPRIETARY. This document and its supplementing elements, contain Zenitel or third party information which is proprietary and confidential. Any disclosure, copying, distribution or use is prohibited, if not otherwise explicitly agreed in writing with Zenitel. Any authorized reproduction, in part or in whole, must include this legend. Zenitel - All rights reserved.

| AUDIO | |
|---|--|
| Audio quality - percentage articulation loss of consonants (Alcons) - at 70 dB | < 5%* |
| Audio quality - total harmonic distortion + noise, without noise reduction (THD+N) - at 70 dB | < 2%* |
| SPL rated power at 1m in open duplex | 95 dB* |
| SPL rated power at 1m in half duplex | 105 dB* |
| SPL rated power at 1m in program distribution and announcement | 105 dB* |
| Noise cancelling - suppression of musical noise | YES |
| Noise cancelling - suppression of static noise | YES |
| Noise cancelling - suppression of rapidly changing noise | YES |
| Codecs | G.711, G.722, G.729 |
| Frequency range, G.722 Codec | 200 Hz – 7000 Hz |
| Audio technology | Modes: Full open duplex, switched open duplex Adaptive jitter buffer Custom Ringing Tone Audio Mixing – Conversation and Group Call Sound Level Detection / scream alarm (only in AlphaCom) Automatic gain control (microphone) |
| Internal speaker amplifier | 10 W class D |
| Microphone technology | Digital MEMS, omnidirectional microphone |
| Automatic Volume Control (AVC) | Undistorted and clear audio |
| Acoustic Echo Cancellation (AEC) | Prevents audio feedback even at high volumes (95dB) |
| 10W Speaker | Matches 10W amp for distortion-free broadcast level sound |
| | * Tested with Audio Precision SYS 2722 equipment |

| HARDWARE | |
|--|---|
| Ethernet connector | 1 x RJ 45 |
| All other connectors | Tool less, spring loaded, vibration proof terminals |
| General inputs and outputs | 6 (configurable) |
| Outputs | 12mA as LED drivers |
| Change-over relay (NO+NC+COM) | Max: 250VAC/220VDC, 2A, 60W |
| Power options | PoE and or external power supply |
| PoE (power over Ethernet) | IEEE 802.3af standard, Class 0 (0.44W to 12.95 W) |
| External power supply | 24 VDC (16 – 48 V) |
| Power consumption | Idle 1.8W, max 12W (depending on volume) |
| Audio line out / induction loop signal | 600 Ohm |
| Button backlight | LED |
| Call indication | Icons/colors for hearing impaired |
| Door open indication | Icons/colors for hearing impaired |
| Display technology | PMOLED |
| Display contrast | 20000:1 |
| Viewing angle | 160 deg |
| Display brightness | 120 cd/m2 |
| Display lifetime | 100 000 hours (11.5 years) |

| CONSTRUCTION | |
|------------------------------|---|
| Dimensions (HxWxD) | 180 x 120 x 73 mm / 7.1" x 4.7" x 2.9" |
| Dimensions after flush mount | 180 x 120 x 24 mm / 7.1" x 4.7" x 0.9" |
| Dimensions with on wall box | 180 x 120 x 86 mm / 7.1" x 4.7" x 3.4" |
| Weight | 0.8 kg / 1.8 lbs |
| Faceplate material | 3 mm / 0.12" PMMA, colour printed on back side |
| Base / frame material | 3 mm / 0.12" Aluminum alloy - A413.0, AlSi12Fe, painted |

CONSTRUCTION

| | |
|---|---|
| Electronics cover material | Polycarbonate (translucent) |
| Gasket material | Silicone rubber |
| Fastening bracket material | SECC Steel |
| Button material | 3 mm / 0.12" Polycarbonate (transparent) |
| Button travel length | 1.25 mm |
| Button activation force | 350 gf |
| Button push-cycles before failure | 300 000 |
| Anechoic Design | Open flow anechoic design eliminates "standing waves" |
| Loudspeaker poke protection, large diameter object | 3D cast aluminum speaker grille |
| Loudspeaker poke protection, small diameter objects | Stainless steel mesh, acoustically transparent |

NETWORKING AND PROTOCOLS

| | |
|--------------------------------|--|
| Protocols | IPv4 (with DiffServ), SIP, TCP, UDP, HTTPS, TFTP, RTP, SRTP, DHCP, SNMP, Vingtor-Stentofon CCoIP® , NTP |
| LAN protocols | Power over Ethernet (IEEE 802.3 a-f) Network Access Control (IEEE 802.1x) |
| Management and operation | HTTP/HTTPS (Web configuration) DHCP and static IP. Remote automatic software upgrade. Centralized monitoring. |
| Advanced supervision functions | E.g. network test, tone test, status reports |
| SIP support | RFC 3261 (SIP base standard) RFC 3515 (SIP refer) RFC 2976 (SIP info), SIP using TLS, RFC 5630 SIPS URI scheme |
| DTMF support | RFC 2833, 2976 (SIP info) |

ENVIRONMENT AND COMPLIANCES

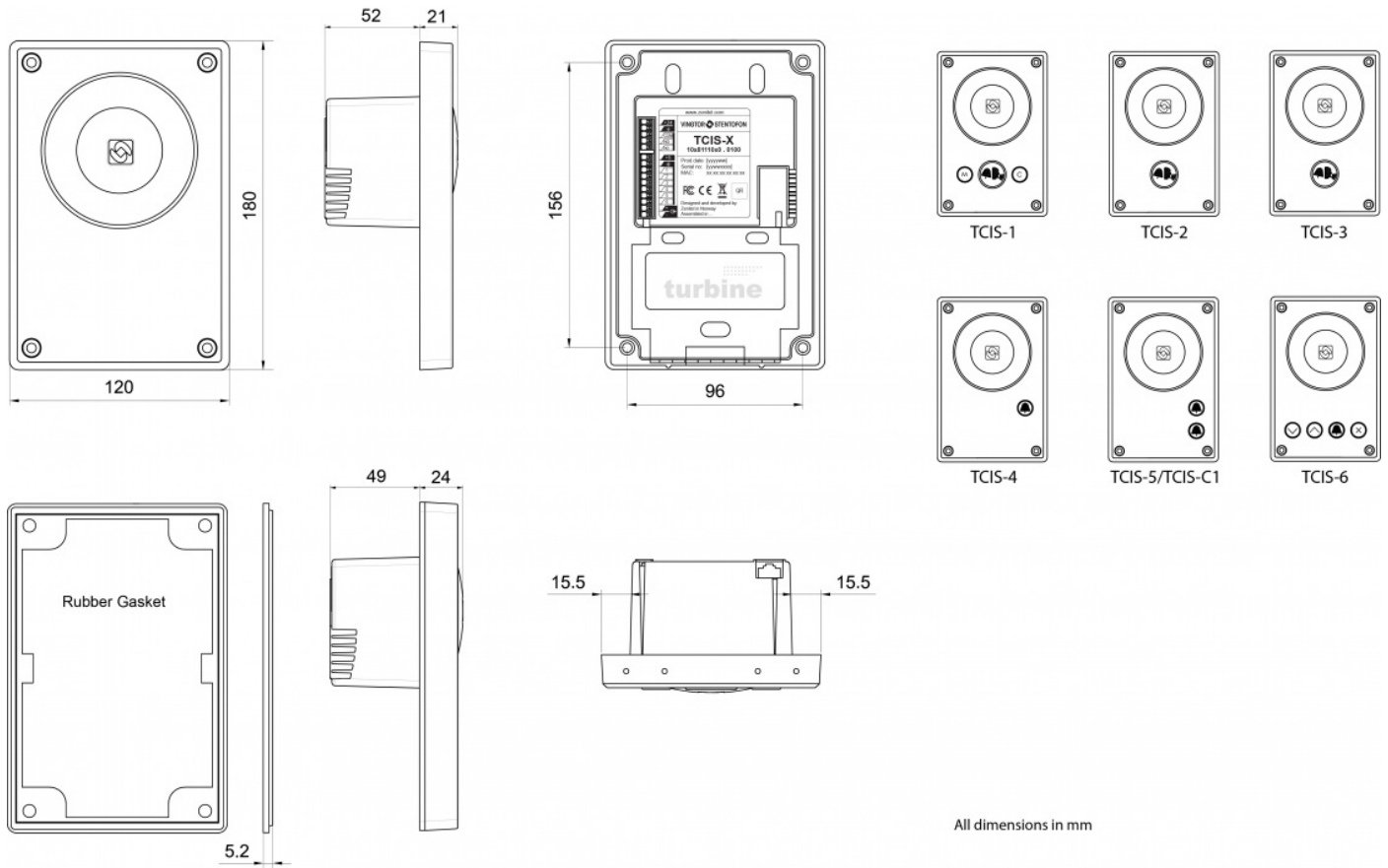
| | |
|-----------------------------|---|
| IP rating | IP-66, tested according to EN 60529 (applies when mounted in TA-1 back-box) |
| IK rating | IK 08, tested according to EN 62262 |
| Operating temperature range | -40° to 70° C |
| Storage temperature range | -40° to 70° C |
| Relative humidity | < 95% not condensing |
| Corrosion | Salty mist, tested according to EN60945 |
| Vibration | Tested according to EN60945 |
| UV-resistant | YES |
| EMC | CE and FCC Part 15 EN 50121-3-2 Railway application EN 50121-4 Railway application UN Regulation 10, revision 4 + Corr.1 + Amend.1 |
| Compliances | IEC/EN 60945 Marine Equipment IEC/EN61000-6-1 and IEC/EN61000-6-3 (light industry) IEC/EN 50155 Railway Application * IEC/EN 50486 Equipment for use in audio video door-entry systems * With additional conformal coating Requires use of EN 50155 approved PoE switch |
| Certifications | UL 60950-1, cUL 60950-1, CB to IEC 60950-1 |

OTHER SPECIFICATIONS

| | |
|------------------------|-------------------------------------|
| IP adress information | Speaks IP address after system boot |
| Button lifetime | > 1000 000 cycles |
| Country of manufacture | Poland |

* Testé avec équipement audio de précision SYS 2722

TECHNICAL DIMENSIONS



ACCESSORIES



TA-1

Item number: 1008140010



TA-2

Item number: 1008140020



TA-5

Item number: 1008140050



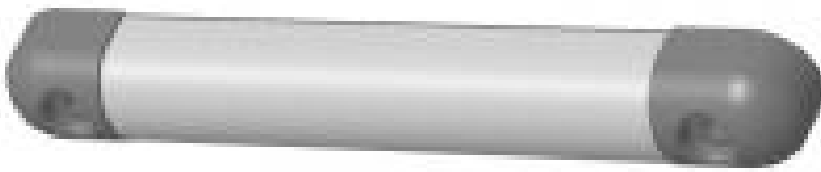
TURBINE ADAPTER PLATE

Item number: 1072160000



TA-18

Item number: 1008140180



TA-14

Item number: 1008140140