

4000014199

## **P-9217**

Handheld Microphone



### **DESCRIPTION**

- PTT
- Curled cable and plug
- Saltwater resistant
- Weatherproof
- Complies with IEC 60945 Marine Equipment

The P-9217 is a weatherproof handheld microphone. The unit comes with a plug for easy connection and an omnidirectional saltwater resistant microphone.

## SPECIFICATIONS

### MECHANICAL

Dimensions (WxHxD)	70x114x37 mm
Weight	0.25 kg
Color	Black
Material	Shock-proof plastic housing
Fixing	Suspension eye

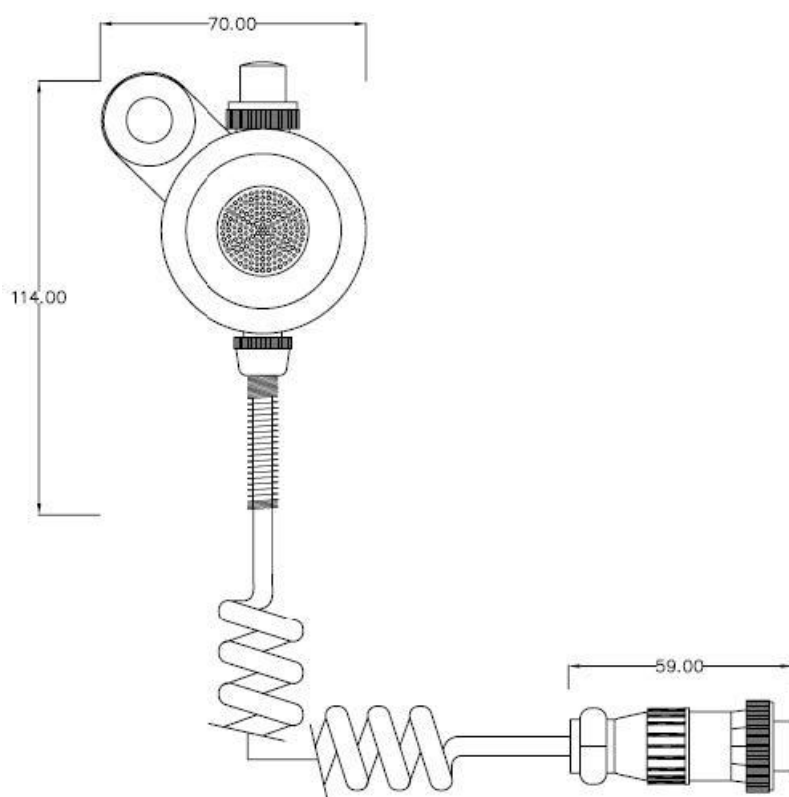
### ELECTRICAL

Power Supply	from Central
Termination	Plug, AMP 4-pin
Compass Safe Distance	> 5 m

### ENVIRONMENTAL

Temperature	-25°C to +55°C (Storage: -25°C to +70°C)
Humidity	+93% (at +40°C)
Ingress Protection Rating	IP-47

## TECHNICAL DIMENSIONS



## USED WITH

4000011255

P-0013

Bridge Wing Unit

