

4000017151

P-5113

Telephone with Relay



DESCRIPTION

- DTMF analog telephone
- Loudspeaking / handset operation
- Memory buttons
- Built-in relay, max 5A
- External loudspeaker connection
- Complies with IEC 60945 Standard for Marine Equipment
- DNV GL type approval and compatible with NORSOK

The P-5113 is an analog flush-mounted console telephone with speakerphone functionality.

SPECIFICATIONS

MECHANICAL

Dimensions (WxHxD)	192x240x121.5 mm
Weight	1.2 kg
Material	Aluminium / PC
Color	RAL 9005
Mounting	Flush / Console
Fixing	4 x M4 bolts
Access	Front
Cable Entry	Rear

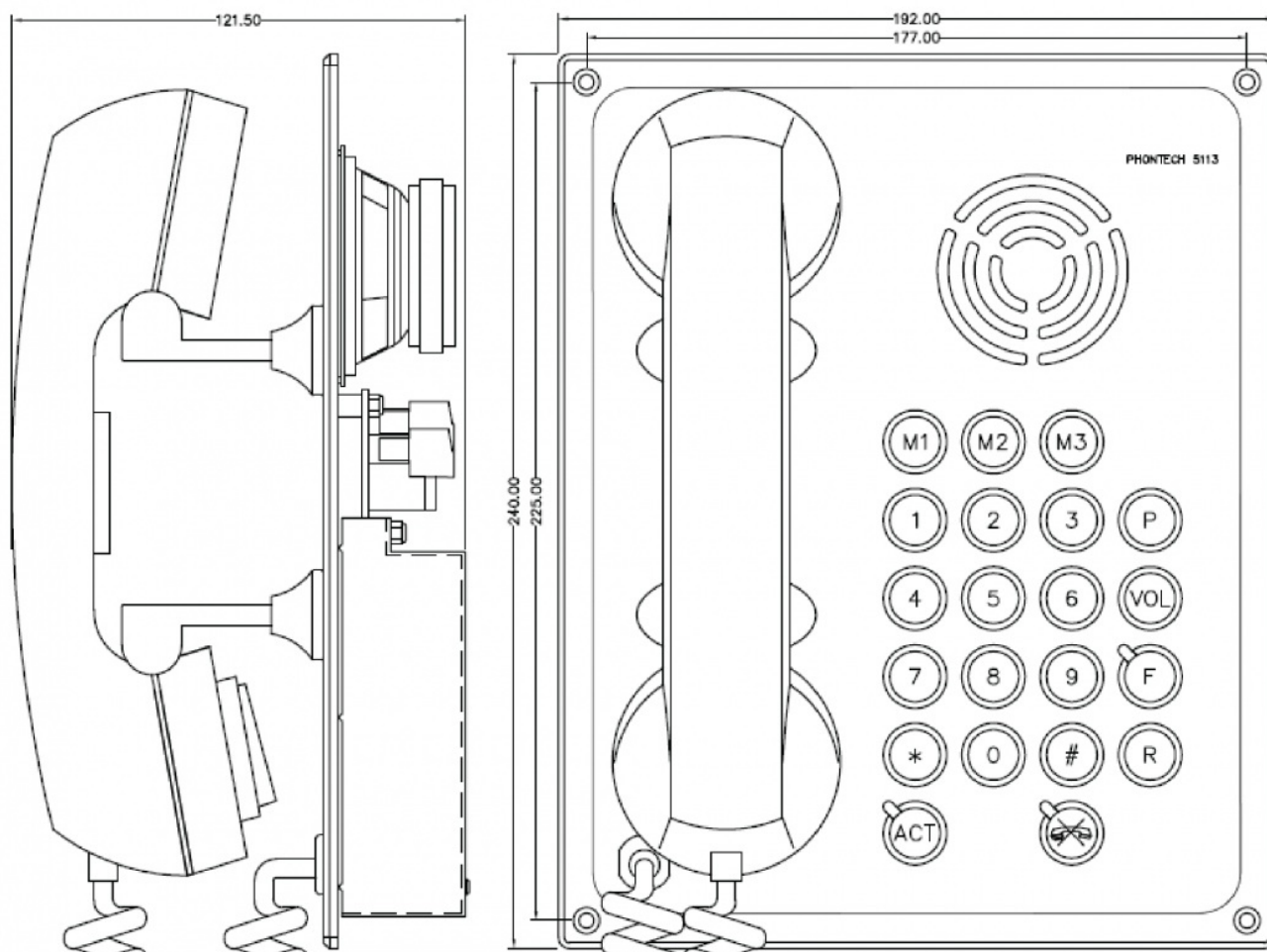
ELECTRICAL

Power Supply	22-32 VDC / 10 W (max when external loudspeaker is connected)
Telephone line feed voltage	24-64 VDC
24-64 VDC Ring Voltage / Frequency	45 < R < 110V / 18 < F < 25 Hz
Termination	Screw terminals ≤ 1.5 mm ²
Compass Safe Distance	>1.9 m
Dial Method	DTMF (ITU-T Q23)
Ringing Volume	≥ 75 dB(A) at 1 m distance

ENVIRONMENTAL

Temperature	-15°C to +55°C
Humidity	+93% (at +40°C)
Ingress Protection Rating	IP-22

TECHNICAL DIMENSIONS



Created: 15.01.2020, updated: 16.01.2020

page 2/3

www.zenitel.com

info@zenitel.com

Zenitel and its subsidiaries assume no responsibility for any errors that may appear in this publication, or for damages arising from the information therein. Vingtör-Stentofon products are developed and marketed by Zenitel. The company's Quality Assurance System is certified to meet the requirements in NS-EN ISO 9001. Zenitel reserves the right to modify designs and alter specifications without notice.

ZENITEL PROPRIETARY. This document and its supplementing elements, contain Zenitel or third party information which is proprietary and confidential. Any disclosure, copying, distribution or use is prohibited, if not otherwise explicitly agreed in writing with Zenitel. Any authorized reproduction, in part or in whole, must include this legend. Zenitel - All rights reserved.

