

4000011252

P-0010

Portable Loudspeaker



DESCRIPTION

- 10-meter cable and plug for P-9009
- 2-way loudspeaker
- PTT
- Saltwater resistant
- Curled cable and plug
- Weatherproof
- Complies with IEC 60945 Standard for Marine Equipment
- RMRS type approval

The P-0010 is a weatherproof portable loudspeaker delivered with a 10-meter cable and plug for interfacing substation P-9009 for 2-way communication.

SPECIFICATIONS

MECHANICAL

Dimensions (WxH)	139x197 mm
Weight	1.9 kg
Color	RAL 7035
Material	Ronfalin C110
Mounting	Wall
Fixing	4 x M5 bolts
Access	Front

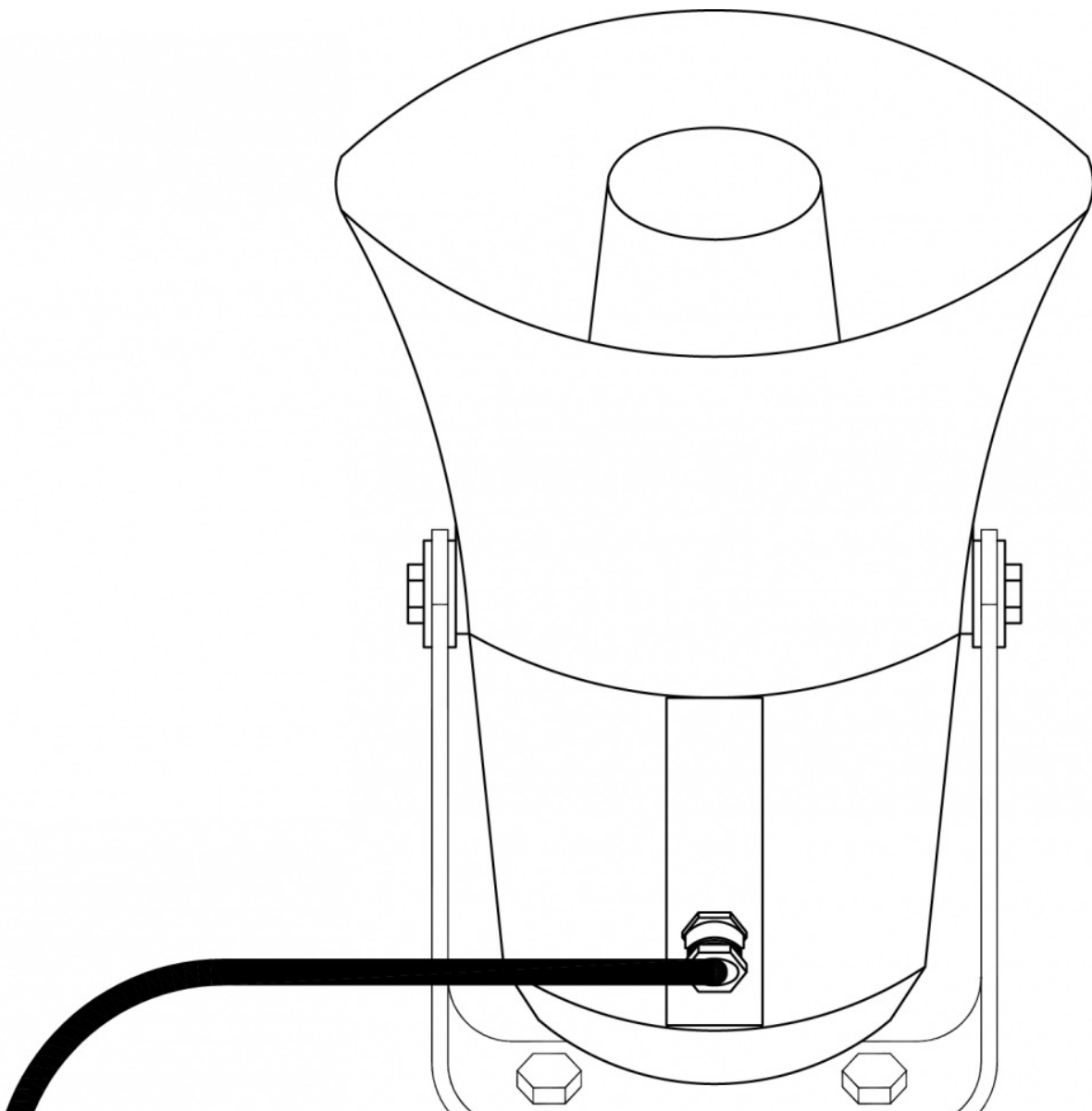
ELECTRICAL

Termination	CPC 1, 4 pole, Male
Compass Safe Distance	> 5 m

ENVIRONMENTAL

Temperature	-25°C to +55°C (Storage: -25°C to +70°C)
Humidity	+93% (at +40°C)
Ingress Protection Rating	IP-56

TECHNICAL DIMENSIONS



Created: 07.11.2019, updated: 17.01.2020

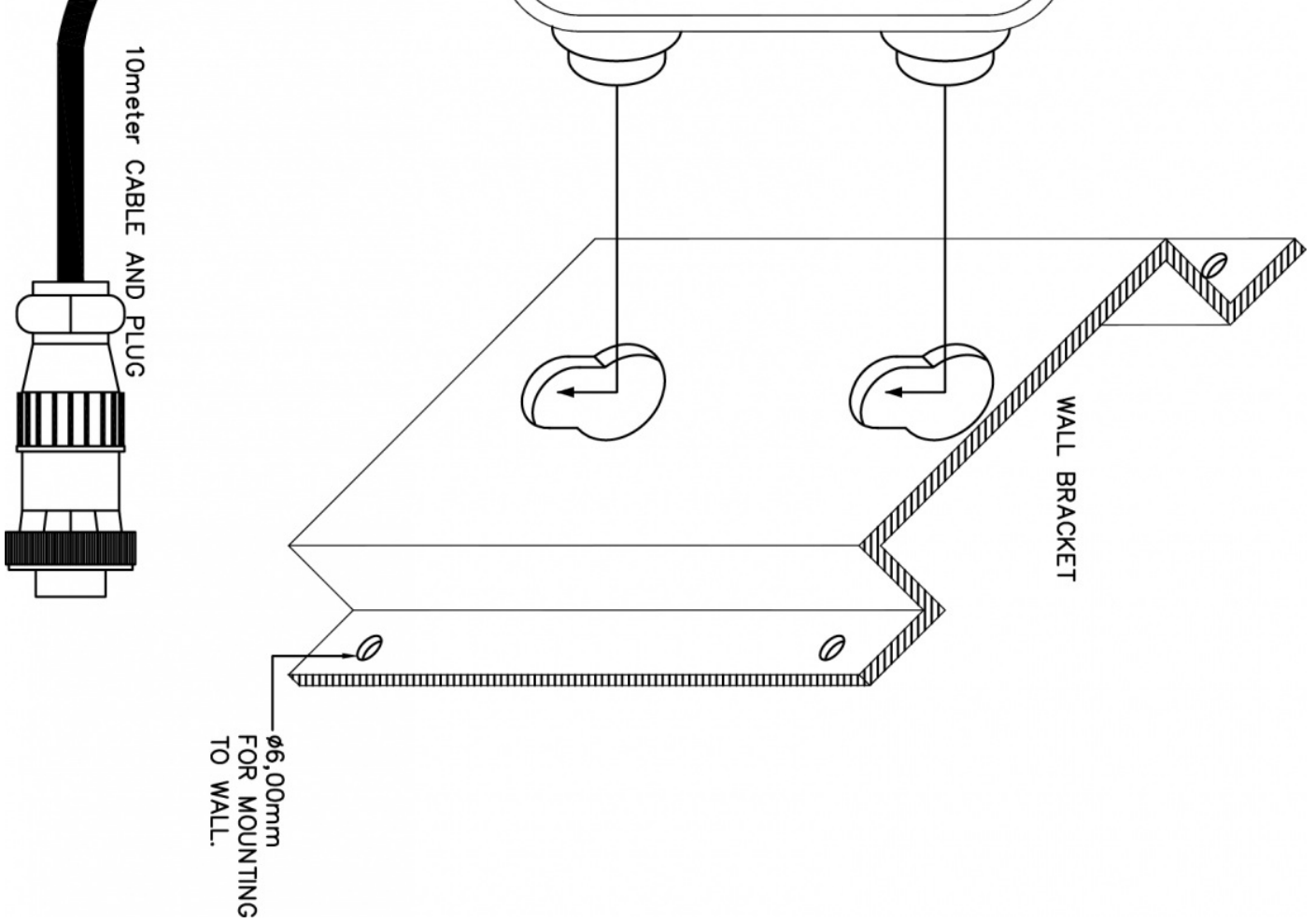
page 2/3

www.zenitel.com

info@zenitel.com

Zenitel and its subsidiaries assume no responsibility for any errors that may appear in this publication, or for damages arising from the information therein. Vingtör-Stentofon products are developed and marketed by Zenitel. The company's Quality Assurance System is certified to meet the requirements in NS-EN ISO 9001. Zenitel reserves the right to modify designs and alter specifications without notice.

ZENITEL PROPRIETARY. This document and its supplementing elements, contain Zenitel or third party information which is proprietary and confidential. Any disclosure, copying, distribution or use is prohibited, if not otherwise explicitly agreed in writing with Zenitel. Any authorized reproduction, in part or in whole, must include this legend. Zenitel - All rights reserved.



USED WITH



4000017574

P-909

Call Unit with Socket