

**SIGNAL CONTROLLER**  
***ITSC-01, information***

## Description and operation

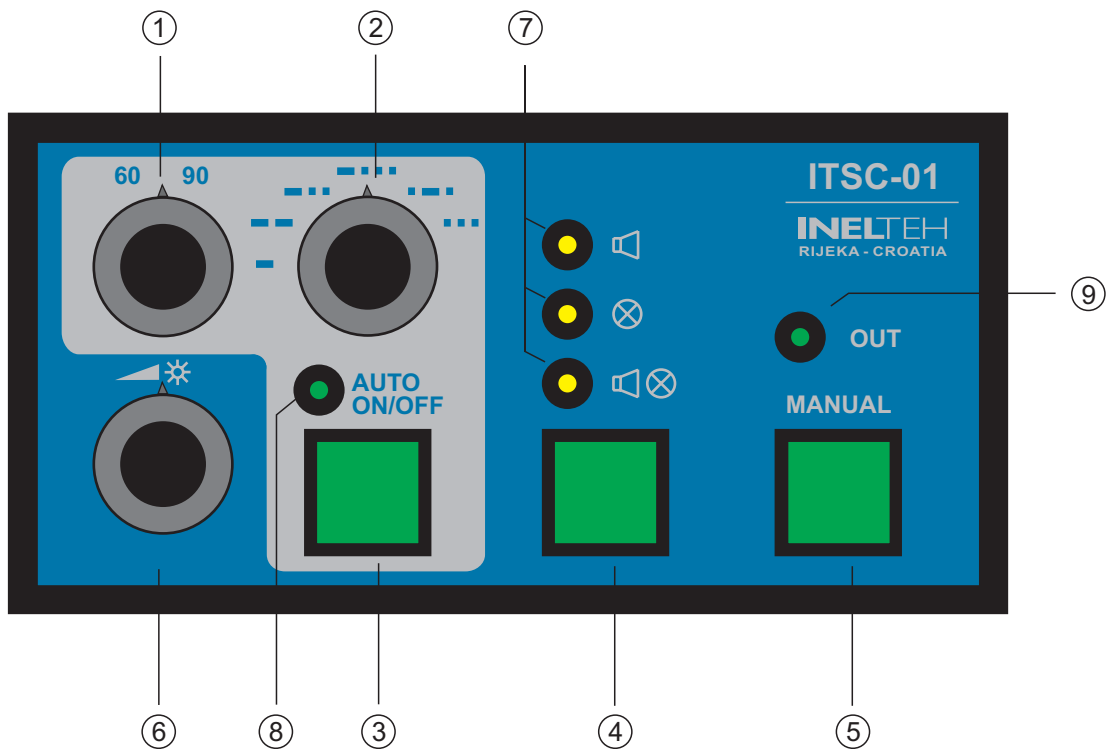
Signal controller ITSC-01 is designed for use on vessels with one whistle to control and generate whistle and lamp signals.

In automatic mode is possible to select two time cycles and six signals.


ITSC-01 can be controlled by external push buttons. Two types of external push buttons are possible. Manual external push button and Morse push button. Manual external push button has the same function as manual push button. Morse button activates lamp only.

ITSC-01 has input for general alarm keying and output for sound reception system blocking.

There are two modes of working: automatic and manual. In manual mode Signal controller is on stand-by. Push on manual key will activate whistle or lamp depending of selected output. In automatic mode signal controller generates selected signal and repeats it every 60 or 90 seconds. Generated signal is forwarded to selected output.



- 1 - TIME SELECTION
- 2 - SIGNAL SELECTION
- 3 - AUTOMATIC MODE ON/OFF
- 4 - OUTPUT SELECTION
- 5 - MANUAL KEY
- 6 - DIMMER
- 7 - OUTPUT SELECTION LED
- 8 - AUTO ON/OFF LED
- 9 - OUTPUT LED

			Date	Name	<p>Title:</p> <h3 style="text-align: center;">Signal Controller ITSC-01</h3> <p style="text-align: center;">Instructions</p>			
			Project.					
			Constr.	22.12.2006 Darko Crnić				
			Check					
			 <small>ENGINEERING FOR ELECTRONIC EQUIPMENT AND SYSTEMS</small>			Identity:	File:	Page/of
Rev	Changes	Date/Sign					ITSC-01-230 instructions1.cdr	1/4

## Automatic mode

First, select time cycle by turning switch button 1 to position 60 or 90. Time cycle means that signal is repeated every 60 or 90 seconds. Type of generated signal is selected by turning switch button 2 to desired position. Output is selected by pressing push button 4 until LED by desired output symbol turns on (7). It is possible that signal controller forwards signal to whistle, lamp or whistle and lamp. Pressing push button 3 starts automatic mode. AUTO ON/OFF LED (8) turns on.

To turn off automatic mode press push button 3. AUTO ON/OFF LED turns off. Any change in cycle time, signal type, output, pressing manual button, pressing external push buttons (manual or Morse), input signal for general alarm will turn automatic off.

## Manual mode

In manual mode pressing manual button (5) will activate selected output. External manual buttons will also activate selected output.

To activate manoeuvre lamp press Morse push button.

## Technical characteristics

Power supply: 230V AC or 24V DC

Consumption:

11 W max. (230V AC)

5W (24V DC)

Output: relays, N.O. voltage free contacts for lamp, whistle and sound reception system blocking (max. 5A for resistive load, 3A for inductive load, max. 240V AC/DC)

Protection class: IP22 (terminals IP20)


Six types of signal can be generated in accordance with Rule 35 of Colreg 1972

Time cycle: 60 or 90 seconds

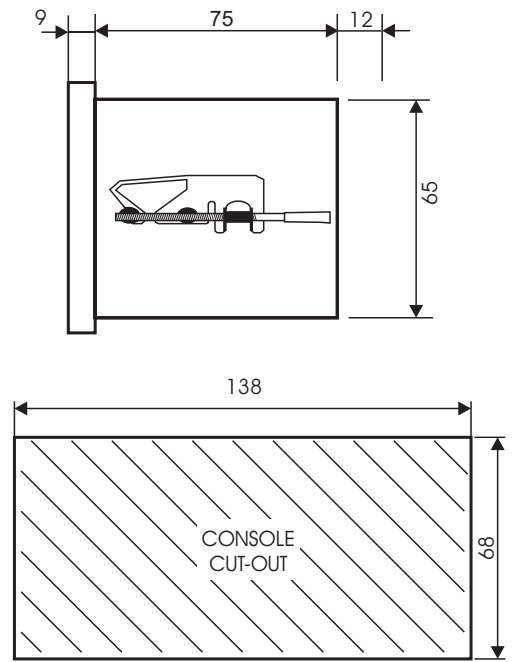
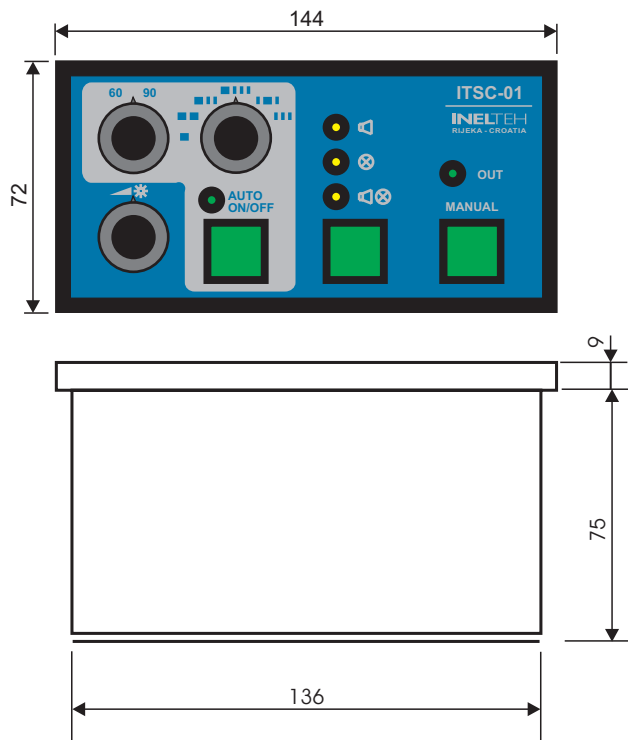
Integrated dimmer

Voltage free N.O. input contact for general alarm keying

Inputs for manual keys and Morse keys

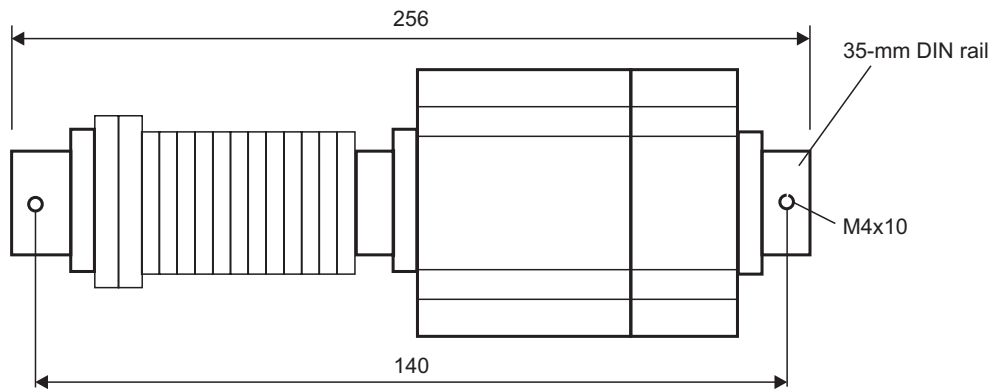
				Date	Name	Title:  <b>Signal controller ITSC-01</b>  Instructions		
			Project.					
			Constr.	10.02.2007	Darko Crnić			
			Check					
			 ENGINEERING FOR ELECTRONIC EQUIPMENT AND SYSTEMS			Identity:		
Rev	Changes	Date/Sign						

### ITSC-01 Control unit



Weight ~1 kg

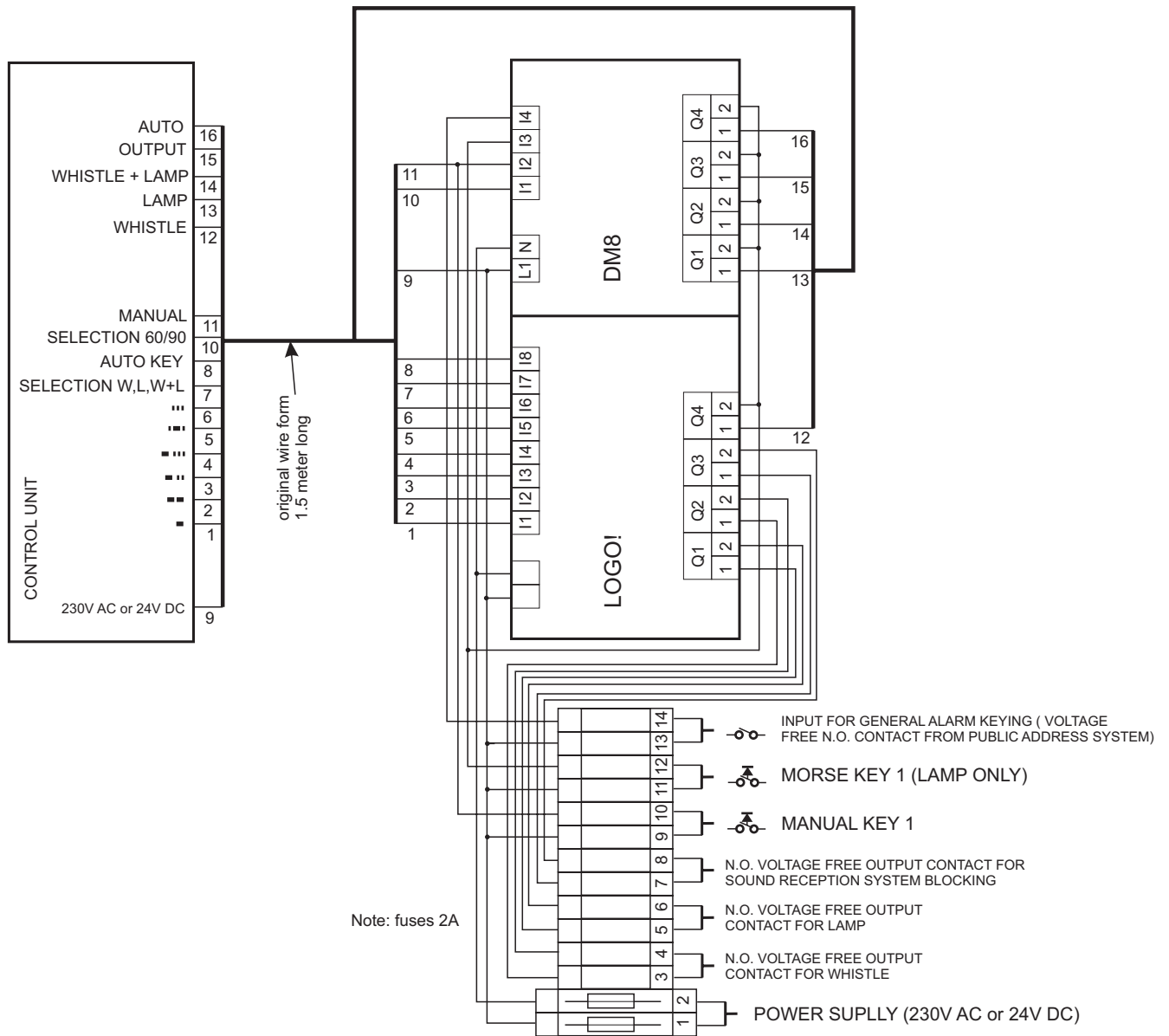
### ITSC-01 Module




Maximal height: 60mm

All dimensions are in mm

			Date	Name	Title: <b>SIGNAL CONTROLLER ITSC-01</b> outlines
		Project.			
		Constr.	20.12.2006	Darko Crnić	
		Check			
			<b>INELTEH</b> ENGINEERING FOR ELECTRONIC EQUIPMENT AND SYSTEMS		Identity:
Rev	Changes	Date/Sign			File: ITSC-01-outlines.cdr
					Page/of 3/4



			Date	Name	Title: <b>SIGNAL CONTROLLER tip ITSC-01</b> Connection and wiring
		Project.			
		Constr.	20.12.2006	Darko Crnić	
		Check			
Rev	Changes	Date/Sign	 ENGINEERING FOR ELECTRONIC EQUIPMENT AND SYSTEMS		Identity:
					File: ITSC-01, connecton and wiring.cdr