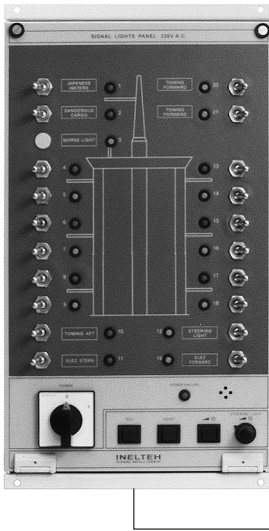
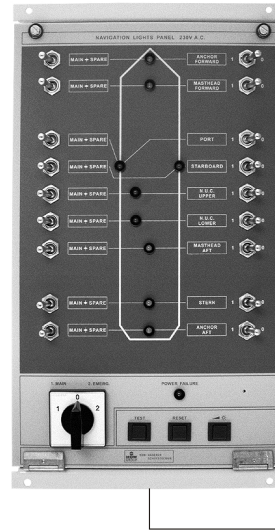


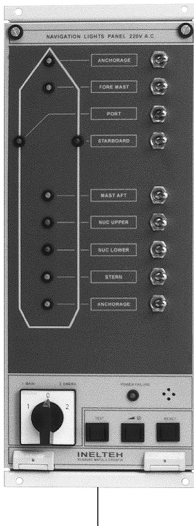
NAVIGATION AND SIGNAL LIGHTS PANELS



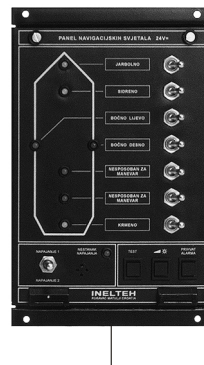
SIGNAL LIGHTS PANEL
• **SLP 220**



NAVIGATION LIGHTS PANEL
• **NLP 220, double**



NAVIGATION LIGHTS PANEL
• **NLP 220**
• **NLP 24**



NAVIGATION LIGHTS PANEL
• **NLP 220-7**
• **NLP 24-7**

Panels are used to control operation of navigation lights on board ships. Audible and visual alarm is activated if there is a fault in circuit or lamps. New generation of microcontroller technology is used.

NLP 220, double panel is used for controlling main and spares lanterns (2x12 lanterns can be controlled).

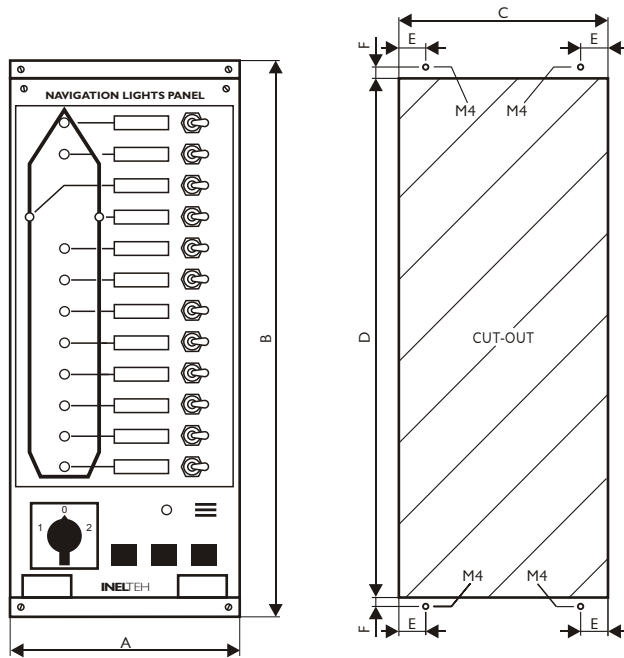
The equipment is designed and produced in accordance with requirements of major classification societies.

Fault in lantern or lantern's circuit is followed by audio alarm and blinking of corresponding LED. Audio alarm can be acknowledged, but blinking of LED will remain until the lantern circuit is repaired or switched-off. Internal NiCd battery is used for power failure alarm activation. All panels are supplied with dimmer and test facility. Built-in potential-free change-over contact can be used to activate external alarm signalling device.

TECHNICAL CHARACTERISTICS	NLP 220	NLP 24	NLP 220-7	NLP 24-7	SLP 220	NLP 220 double
Power supply	220V,AC*	24V,DC	220V,AC	24V,DC	220V,AC	220V,AC
Ambient temperature min/max °C	0°C/+55°C	0°C/+55°C	0°C/+55°C	0°C/+55°C	0°C/+55°C	0°C/+55°C
Number of lanterns	up to 12	up to 12	up to 7	up to 7	up to 23	2x12

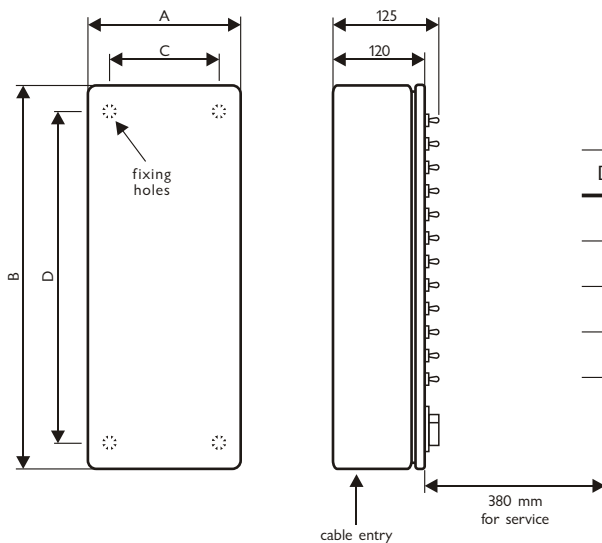
*110V,AC available upon request.

FLUSH MOUNTING



DIMENSIONS (mm)	NLP 220 / NLP 24	NLP 220-7 / NLP 24-7	NLP 220, double	SLP 220
A	170	180	235	235
B	416	275	416	416
C	160	170	224	224
D	387	246	390	390
E	10	10,5	9	9
F	7	9	7	7
Depth	125	110	125	125

BULKHEAD MOUNTING



DIMENSIONS (mm)	NLP 220 / NLP 24	SLP 220
A	200	300
B	500	500
C	160	260
D	460	460

All dimensions are in mm.