

# 2212000100

DESKTOP ANALOGUE TELEPHONE DT-800M



when communication is **critical**

## FEATURES

- Solid construction for marine environment
- Desk or wall mounting
- Good audio quality
- Easy to use with large buttons and special function keys
- Suitable for cabins and offices

## DESCRIPTION

The The VINGTOR Analogue Desktop Telephone is made for the VINGTOR ASA and ACM system. The telephone is well suited for use onboard ships and has a solid construction for marine environment including strong magnet holder of handset.

The telephone is easy to use with a full keyboard (including R/flash key) with large buttons. In addition the telephone has a LED for indicating if handset is on/off and a set of special function keys for:

- Redial (Redials last number)
- Mute (Mutes the microphone)

The ringer volume (high/low) and handset volume (high / low) can be adjusted.

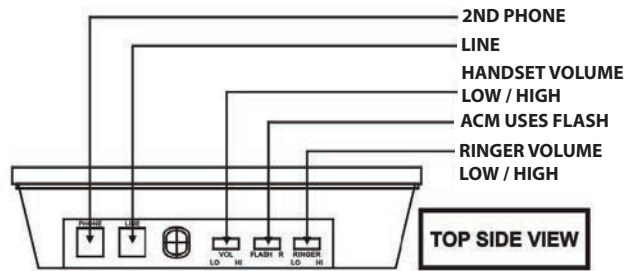
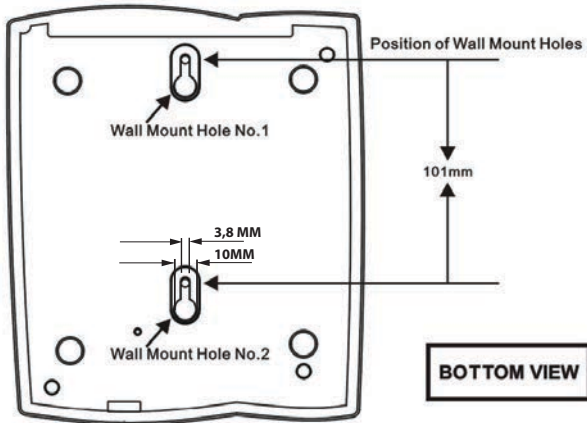


## SPECIFICATIONS

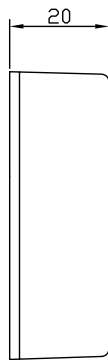
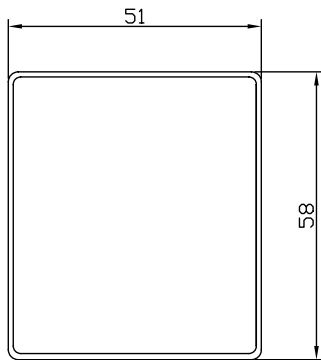
Dimensions (WxHxD)	162 x 110 x 195
Weight	0.4 kg
Color	Grey
Mounting	Desk or wall
Connection	RJ11
Operating voltage	20 to 60 VDC
Operating current	20 to 100 mA
Ringling voltage	75 VAC nominal

ORDER NUMBER	DESCRIPTION	SHIP WEIGHT
221 200 0100 PT-625A	Desktop Analogue Telephone DT-800M PT-625A-4-50 Jack Surface RJ11	0,4 Kg 0,05 Kg

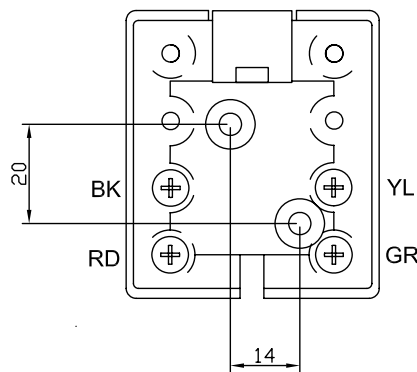
2212000100 DESKTOP ANALOGUE TELEPHONE DT-800M



JACK SURFACE PT-625A



BK= BLACK  
RD= RED  
GR= GREEN  
YL= YELLOW



MODULAR OUTLET RJ11  
TO ANALOGUE TELEPHONE  
WITH RJ11 OR RJ12 PLUG

