

1020600910

VSP-122

Main Station



DESCRIPTION

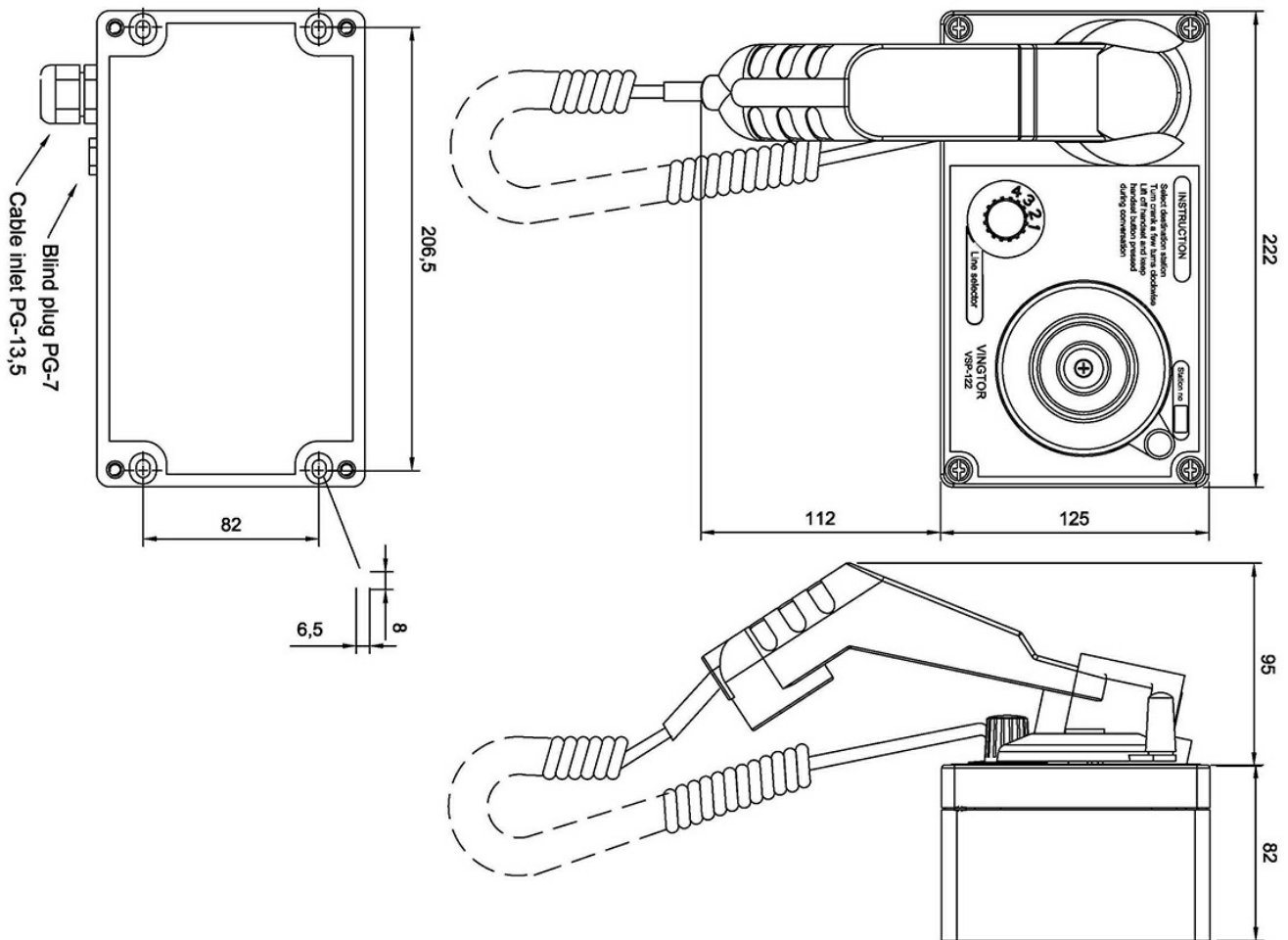
- Wall mounting
- 12 extensions selector
- With watertight housing
- For use in bridge wings and open deck areas

SPECIFICATIONS

GENERAL

Connections	Screw terminals
Housing	ROSE Box (AlSi12)
Handset	RA-250 w/ holder
Colour	Grey RAL7001 / Handset black
IP rating	IP-66
Cable inlet	1x PG-13.5
Weight	2.0 kg
Dimensions (WxHxD)	220 x 220 x 185 mm (with handset)

TECHNICAL DIMENSIONS



ACCESSORIES



1020600751

VSP-36-PEL



1020600761

VSP-36-PELP



3006202045

IRR-24



1020600995

RELAY BOX 220V AC