

3006200004

RELAY BOX 220V AC

IRR-VSPM-220 for 20 Way system

 IP66



DESCRIPTION

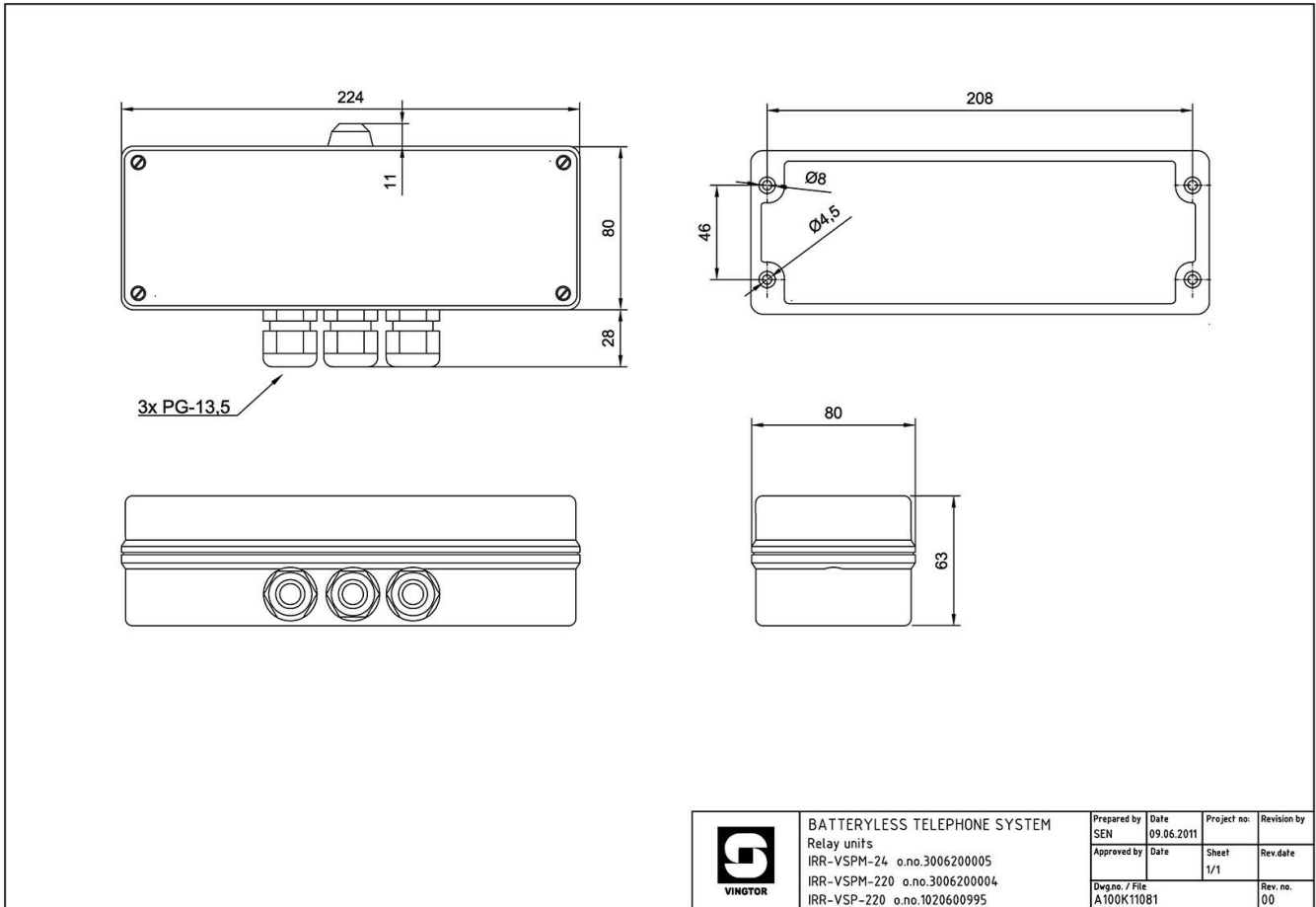
- Separate relay timer unit for operation of 220VAC visible and/or audible signal units
- Built-in timer circuit - signaling time of 20 seconds as standard
- Alarm stop button
- Wall mounting
- Suitable for installation in noisy areas


SPECIFICATIONS

GENERAL

Connections	Screw terminals
Material	Flame retardant blend plastic housing
IP rating	IP- 66
Dimensions	224W x 80H x 63D mm
Weight	0.60 kg

TECHNICAL DIMENSIONS



 VINGTOR	BATTERYLESS TELEPHONE SYSTEM				
	Relay units				
	IRR-VSPM-24 o.no.3006200005		Project no.		
	IRR-VSPM-220 o.no.3006200004		Revision by		
IRR-VSP-220 o.no.1020600995		Prepared by SEN	Date 09.06.2011	Sheet 1/1	Rev.date
Dwg.no. / File A100K11081		Rev. no. 00			