

Metallized Polypropylene Power Capacitors

CXPLP

Applications

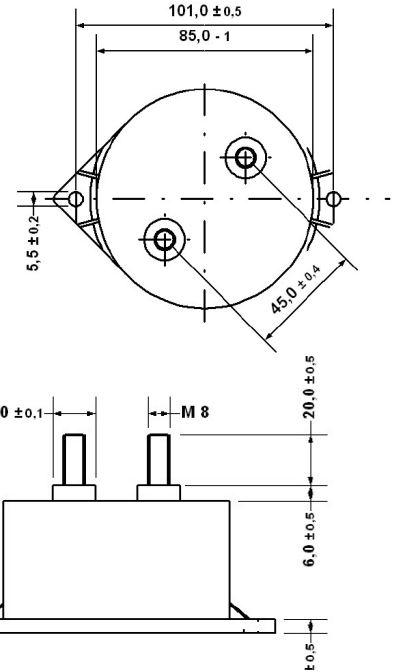
- High Power
- Low Inductance
- Medium-High Frequency
- Power Electronics

Main Characteristics

- Self-healing
- Climatic category 40/085/21
- Usable in intermittent duty cycles with high current
- Inductance $L_E < 10.5\text{nH}$

Design

- PA 66 plastic case
- Polyurethane resin sealing
- Polypropylene dielectric



H [mm]	Nominal Capacitance in μF									
	20	40	55	65	85	100	130	150	200	
40										
600 VDC										
700 VDC										
800 VDC										
900 VDC										
1000 VDC										
1100 VDC										
1200 VDC										
1400 VDC										
1900 VDC										

Height: 40mm

Type	CN [μF]	UN DC [VDC]	UN AC [VAC]	I_N [A] 30°C	R_{ESR} [m Ω]	\hat{I} [kA]	W_N [Ws]
CXPLP 60-200	200	600	100	100	< 1.0	3.7	36
CXPLP 70-150	150	700	100	100	< 1.2	3.3	36.8
CXPLP 80-130	130	800	100	100	< 1.0	3.2	41.6
CXPLP 90-100	100	900	115	100	< 1.2	2.6	40.5
CXPLP 100-85	85	1000	125	95	< 1.0	2.5	42.5
CXPLP 110-65	65	1100	200	90	< 1.0	2.3	39.3
CXPLP 120-55	55	1200	200	85	< 1.0	2.1	39.6
CXPLP 140-40	40	1400	200	75	< 1.0	1.8	39.2
CXPLP 190-20	20	1900	200	65	< 1.0	1.4	36.1

H [mm]	Nominal Capacitance in μF									
	32	60	85	100	120	150	180	220	300	
51										
600 VDC										
700 VDC										
800 VDC										
900 VDC										
1000 VDC										
1100 VDC										
1200 VDC										
1400 VDC										
1900 VDC										

Height: 51mm

Type	CN [μF]	UN DC [VDC]	UN AC [VAC]	I_N [A] 30°C	R_{ESR} [m Ω]	\hat{I} [kA]	W_N [Ws]
CXPLP 60-300	300	600	100	100	< 1.0	3.7	54
CXPLP 70-220	220	700	100	100	< 1.0	3.3	53.9
CXPLP 80-180	180	800	100	100	< 1.0	3.0	57.6
CXPLP 90-150	150	900	115	100	< 1.0	3.0	60.7
CXPLP 100-120	120	1000	125	95	< 1.0	2.5	60
CXPLP 110-100	100	1100	200	90	< 1.0	2.3	60.5
CXPLP 120-85	85	1200	200	85	< 1.0	2.1	61.2
CXPLP 140-60	60	1400	200	75	< 1.0	1.8	58.8
CXPLP 190-32	32	1900	200	65	< 1.0	1.4	57.8

Other voltages, capacitances on request

Leclanché Capacitors for Critical Applications and Extreme Environments.

Tel. +41 24 445 66 88 - Fax +41 24 445 66 89 capinfo@Lcap.ch www.Lcap.ch

Metallized Polypropylene Power Capacitors

CXPLP

H [mm]	Nominal Capacitance in μF								
	45	85	115	140	170	200	260	300	400
64									
600 VDC									
700 VDC									
800 VDC									
900 VDC									
1000 VDC									
1100 VDC									
1200 VDC									
1400 VDC									
1900 VDC									

Height: 64mm

Type	CN [μF]	UN DC [VDC]	UN AC [VAC]	I_N [A] 30°C	R_{ESR} [m Ω]	\hat{I} [kA]	W_N [Ws]
CXPLP 60-400	400	600	100	100	< 1.0	3.7	72
CXPLP 70-300	300	700	100	100	< 1.0	3.3	73.5
CXPLP 80-260	260	800	100	100	< 1.0	3.0	83.2
CXPLP 90-200	200	900	115	100	< 1.0	2.6	81
CXPLP 100-170	170	1000	125	95	< 1.0	2.5	85
CXPLP 110-140	140	1100	200	90	< 1.0	2.3	84.7
CXPLP 120-115	115	1200	200	85	< 1.0	2.1	82.8
CXPLP 140-85	85	1400	200	75	< 1.0	1.8	83.3
CXPLP 190-45	45	1900	200	65	< 1.0	1.4	81.2

H [mm]	Nominal Capacitance in μF								
	55	110	150	175	210	260	340	425	600
76									
600 VDC									
700 VDC									
800 VDC									
900 VDC									
1000 VDC									
1100 VDC									
1200 VDC									
1400 VDC									
1900 VDC									

Height: 76mm

Type	CN [μF]	UN DC [VDC]	UN AC [VAC]	I_N [A] 30°C	R_{ESR} [m Ω]	\hat{I} [kA]	W_N [Ws]
CXPLP 60-600	600	600	100	100	1.3	4.3	108
CXPLP 70-425	425	700	100	100	1.2	3.6	104
CXPLP 80-340	340	800	100	100	1.4	3.3	109
CXPLP 90-260	260	900	115	100	1.5	2.8	105
CXPLP 100-210	210	1000	125	100	1.7	2.5	105
CXPLP 110-175	175	1100	150	100	2	2.4	106
CXPLP 120-150	150	1200	200	88	2.4	2.2	108
CXPLP 140-110	110	1400	200	82	2.8	1.9	108
CXPLP 190-55	55	1900	200	69	4	1.3	99

H [mm]	Nominal Capacitance in μF								
	80	150	200	240	300	370	460	600	830
100									
600 VDC									
700 VDC									
800 VDC									
900 VDC									
1000 VDC									
1100 VDC									
1200 VDC									
1400 VDC									
1900 VDC									

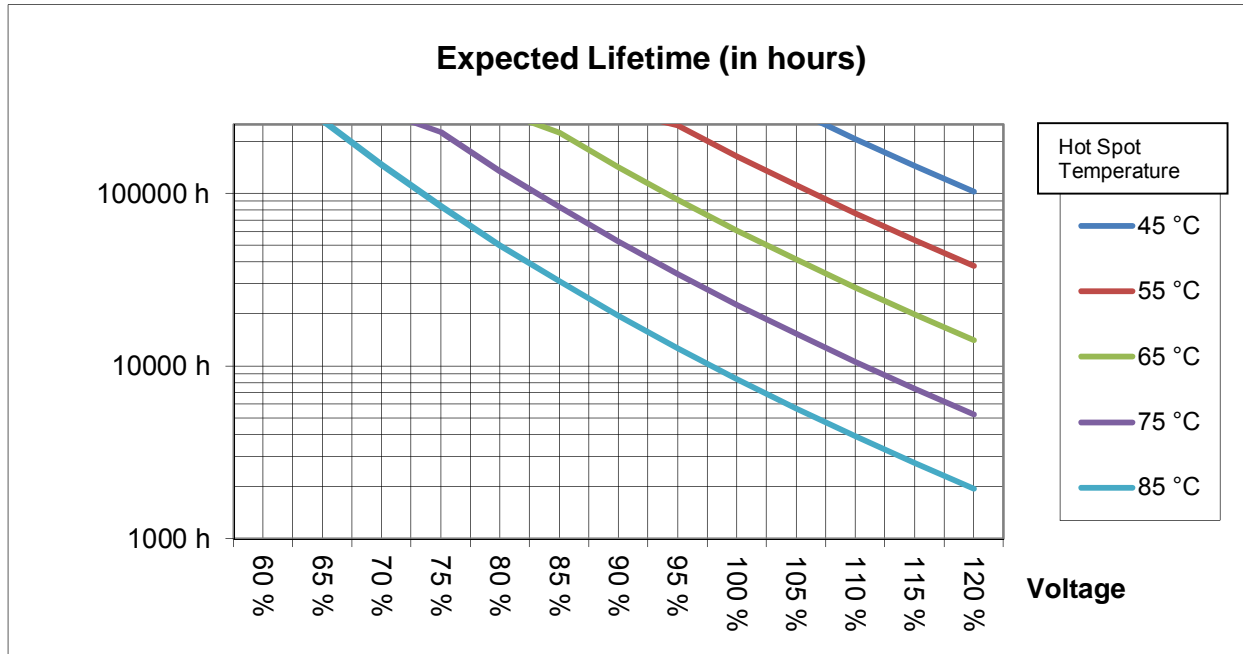
Height: 100mm

Type	CN [μF]	UN DC [VDC]	UN AC [VAC]	I_N [A] 30°C	R_{ESR} [m Ω]	\hat{I} [kA]	W_N [Ws]
CXPLP 60-830	830	600	100	100	2.5	4.3	149
CXPLP 70-600	600	700	100	97	2.4	3.7	147
CXPLP 80-460	460	800	100	100	1.8	3.2	147
CXPLP 90-370	370	900	115	100	1.9	2.9	150
CXPLP 100-300	300	1000	125	100	2.1	2.6	150
CXPLP 110-240	240	1100	150	99	2.8	2.3	145
CXPLP 120-200	200	1200	200	83	3.4	2.1	144
CXPLP 140-150	150	1400	200	78	3.8	1.9	147
CXPLP 190-80	80	1900	200	67	5.1	1.4	144

Other voltages, capacitances on request

Leclanché Capacitors for Critical Applications and Extreme Environments.

Tel. +41 24 445 66 88 - Fax +41 24 445 66 89 capinfo@Lcap.ch www.Lcap.ch



Other voltages, capacitances on request