

## CCG5, Tag mounting, Tubular Type High Power Ceramic Capacitor

### Material Characteristics

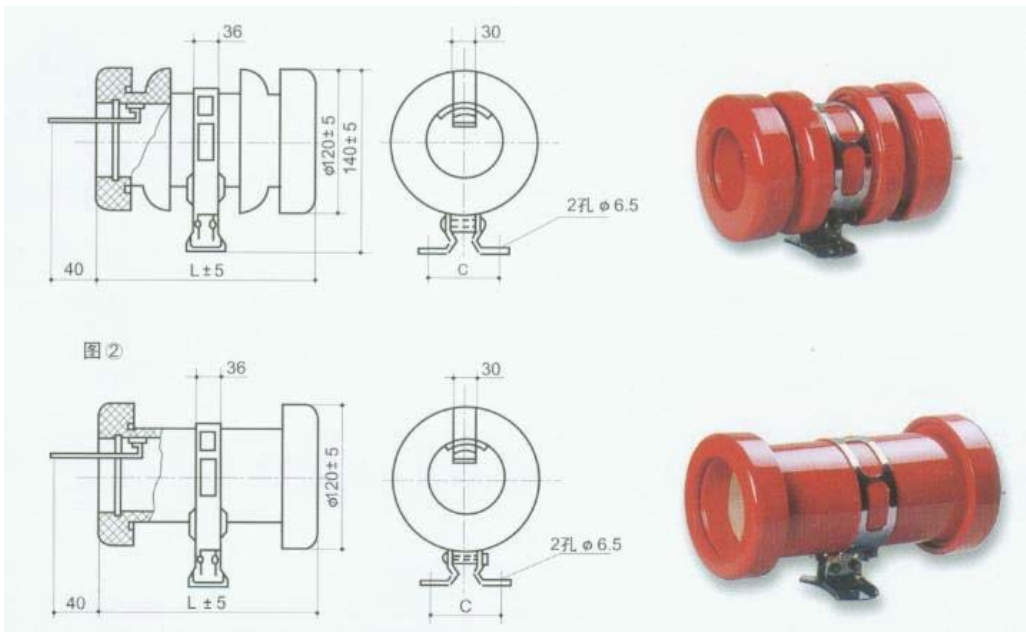
EIA Category	N750
Available Tolerance	10%
Typical Dissipation Factor @ 1kHz 20°C 1Vrms	$= 5 \times 10^{-4}$
Withstand Voltage	$1.5 \times U_r / 60\text{secs}$
Insulation Resistance @ 1kVdc, 60secs, 20°C	$\geq 10^{10}\text{ohm}$
Operating Temperature Range	-55 to +100°C

### Features

- Low dielectric loss resulting in low self heating.
- Linear temperature coefficient.
- Small size.
- High Voltage / High Reactive Power Rating.

### Applications include

- Radio Broadcast Transmitters.
- Antenna units.
- Filter, bypass and coupling circuits in the frequency range 50kHz to 100MHz.



Model	Rated Capacitance (PF)	Rated Voltage (KV)		Reactive Power (KVA)	Max. Current (A)	Dimensions (mm)				Temperature Coefficient (PPM/°C)
		DC	HF(RMS)			D	H	L	C	
CCG5-1	1000	30	20	70	50	120	140	180	50	N750
CCG5-2	1500	20	10	60	50	120	140	168		
CCG5-3	2200	20	10	70	50	120	140	190		
CCG5-4	3300	15	8	70	50	120	140	190		
CCG5-5	4700	15	8	70	50	120	140	180		
CCG5-6	5600	15	8	70	50	120	140	210		
		20	10	80				235		
		30	20	80				300		
CCG5-7	6800	20	10	80	50	120	140	235		

Distributore per l'Italia: